

BUILDING SIGNAGE AND LIGHTING

OBJECTIVE

Strengthen the pedestrian experience, neighborhood identity and visual coherence with the use of building signage and lighting.



BUILDING SIGNAGE AND LIGHTING GOALS

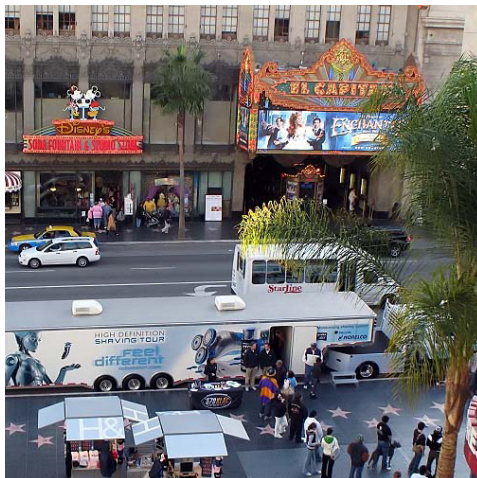


1

Create visual cues for pedestrians.



Complement the character of nearby buildings and the street.



3

Add human scale to the environment.



Enhance pedestrian safety and comfort.

BUILDING SIGNAGE AND LIGHTING IMPLEMENTATION STRATEGY CHECKLIST



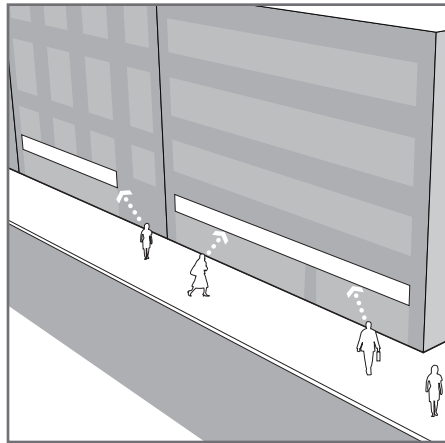
		Commercial	Industrial	Public Spaces	Open Spaces	Residential
1	Include signage at a height and of a size that is visible to pedestrians, assists in identifying the structure and its use, and facilitates access to the building entrance.	<input type="checkbox"/>		<input type="checkbox"/>	<input type="checkbox"/>	<input type="checkbox"/>
2	Provide adequate lighting levels to safely light the pedestrian path.	<input type="checkbox"/>	<input type="checkbox"/>	<input type="checkbox"/>	<input type="checkbox"/>	<input type="checkbox"/>
3	Utilize adequate, uniform, and glare-free lighting to avoid uneven light distribution, harsh shadows, and light spillage.	<input type="checkbox"/>	<input type="checkbox"/>	<input type="checkbox"/>	<input type="checkbox"/>	<input type="checkbox"/>
4	Use fixtures that are “dark sky” compliant.	<input type="checkbox"/>	<input type="checkbox"/>	<input type="checkbox"/>	<input type="checkbox"/>	<input type="checkbox"/>

BUILDING SIGNAGE AND LIGHTING

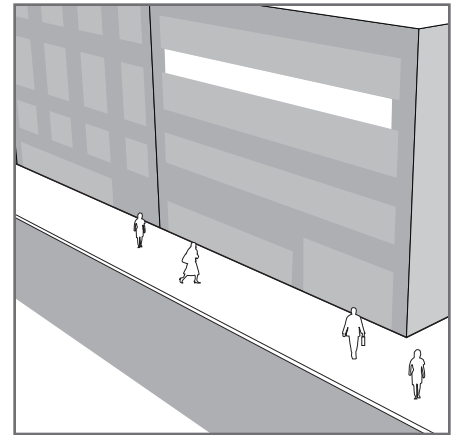
- 1** Include signage at a height and of a size that is visible to pedestrians, assists in identifying the structure and its use, and facilitates access to the building entrance.



Recommended



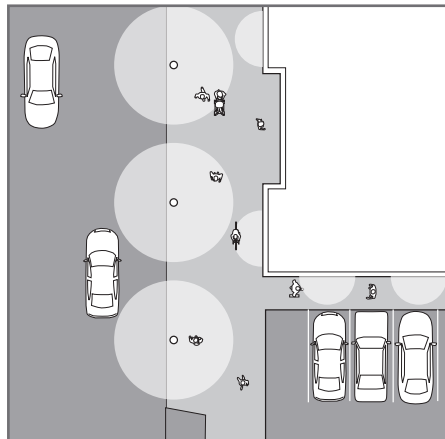
Not Recommended



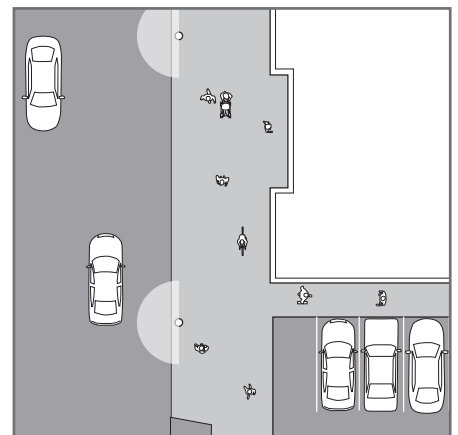
- 2** Provide adequate lighting levels to safely light the pedestrian path.



Recommended



Not Recommended



BUILDING SIGNAGE AND LIGHTING

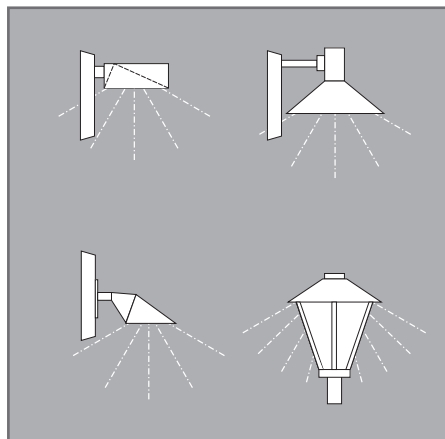
- 3** Utilize adequate, uniform, and glare-free lighting to avoid uneven light distribution, harsh shadows, and light spillage.



- 4** Use fixtures that are “dark sky” compliant.



Recommended



Not Recommended

